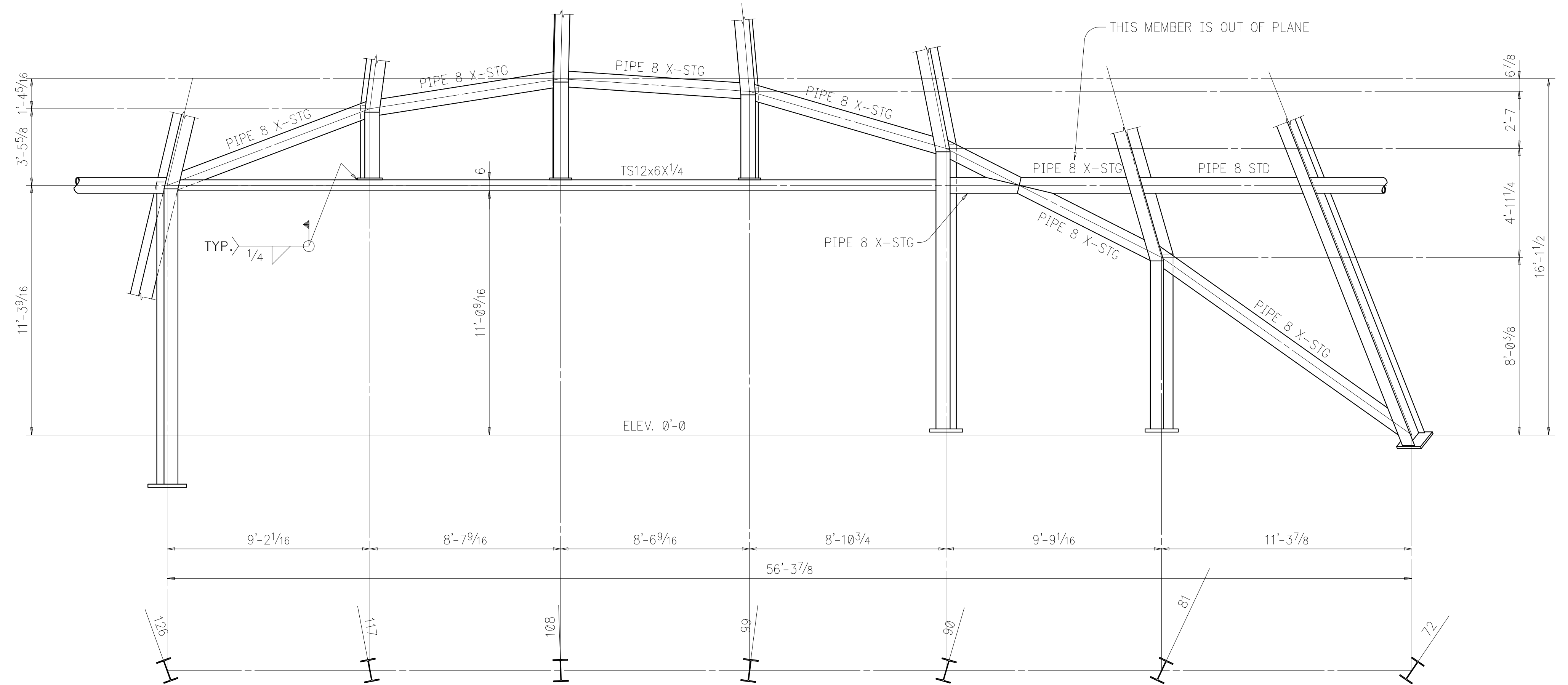


CONNECTION DETAIL @ FRUSTUM COLUMN E.5-2.4
 WP ELEVATION +11'-3⁹/₁₆



TRUSS ELEVATION AT FRUSTUM LINK