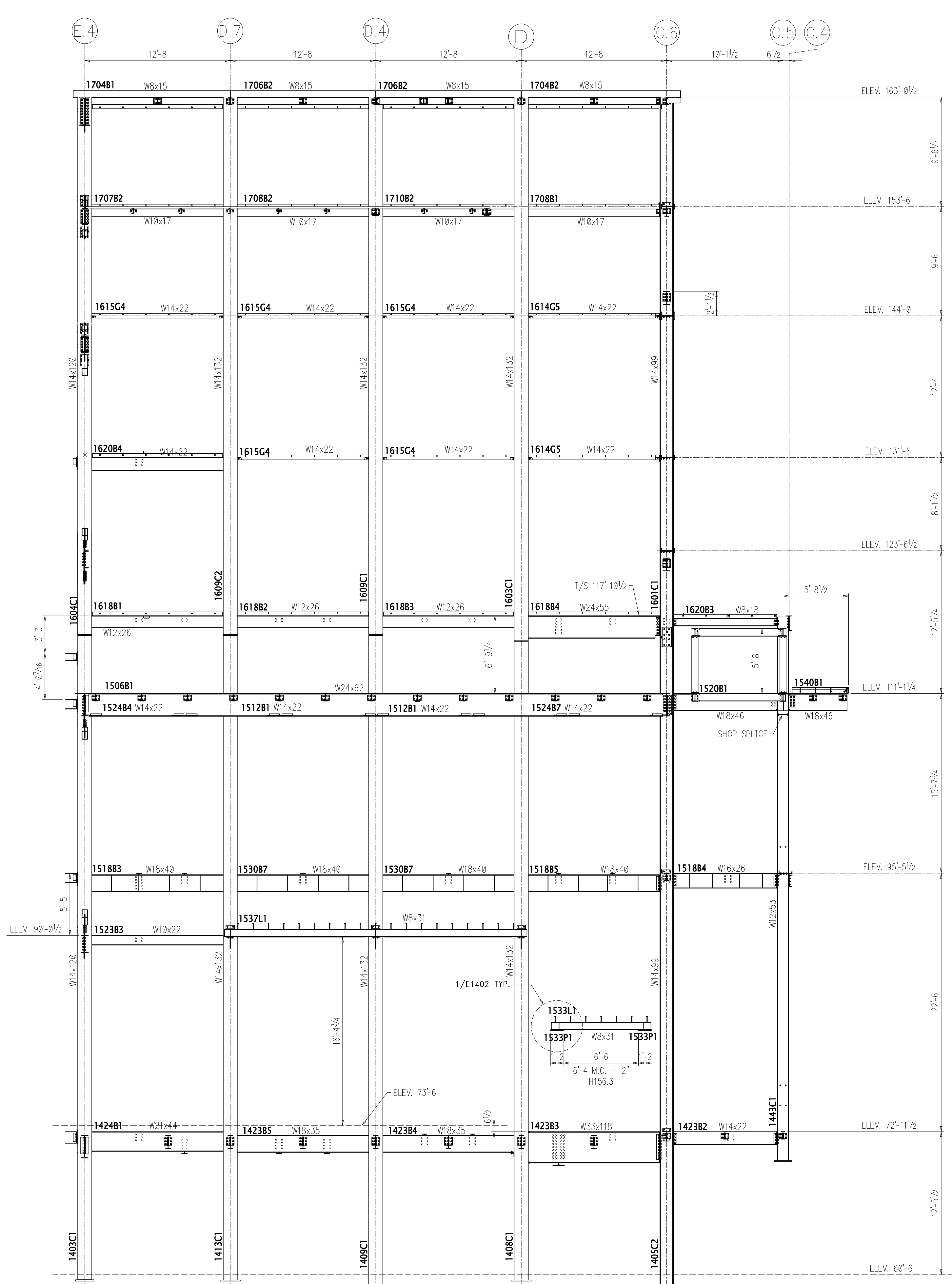
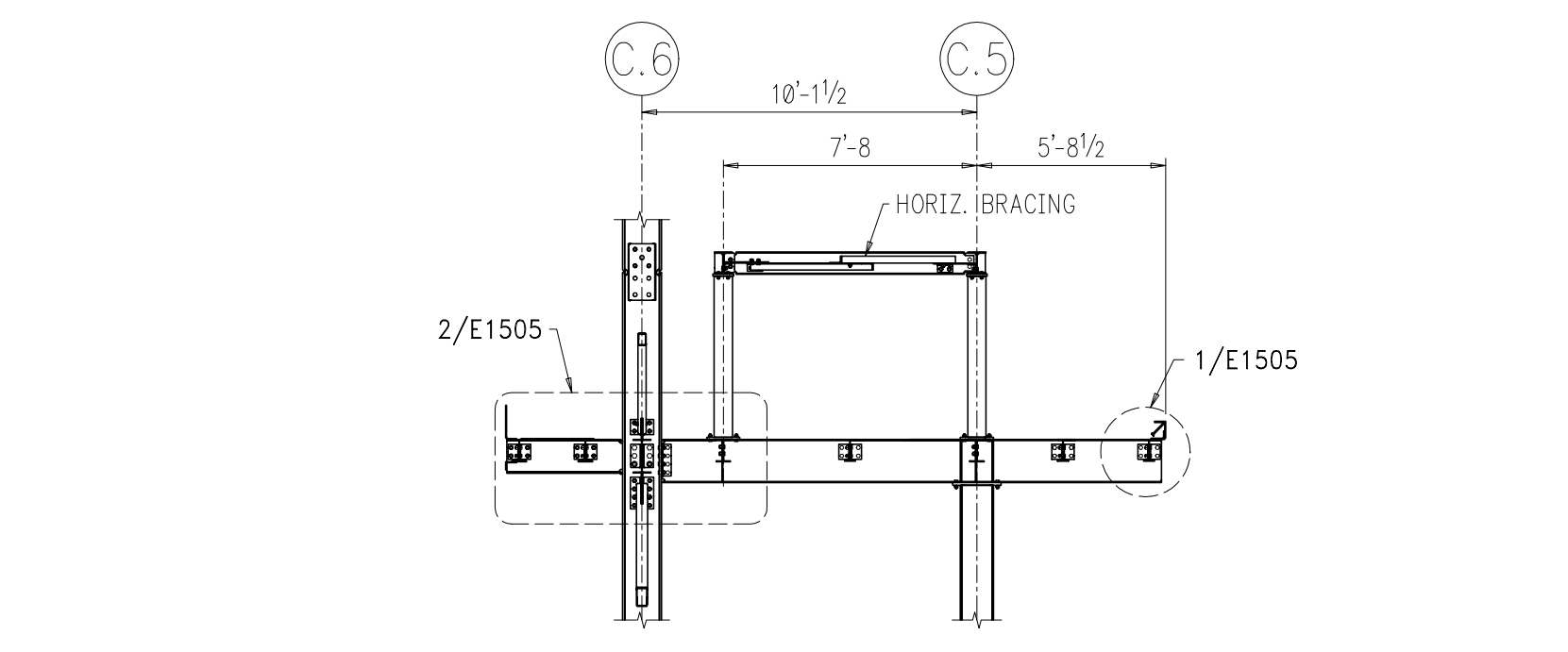


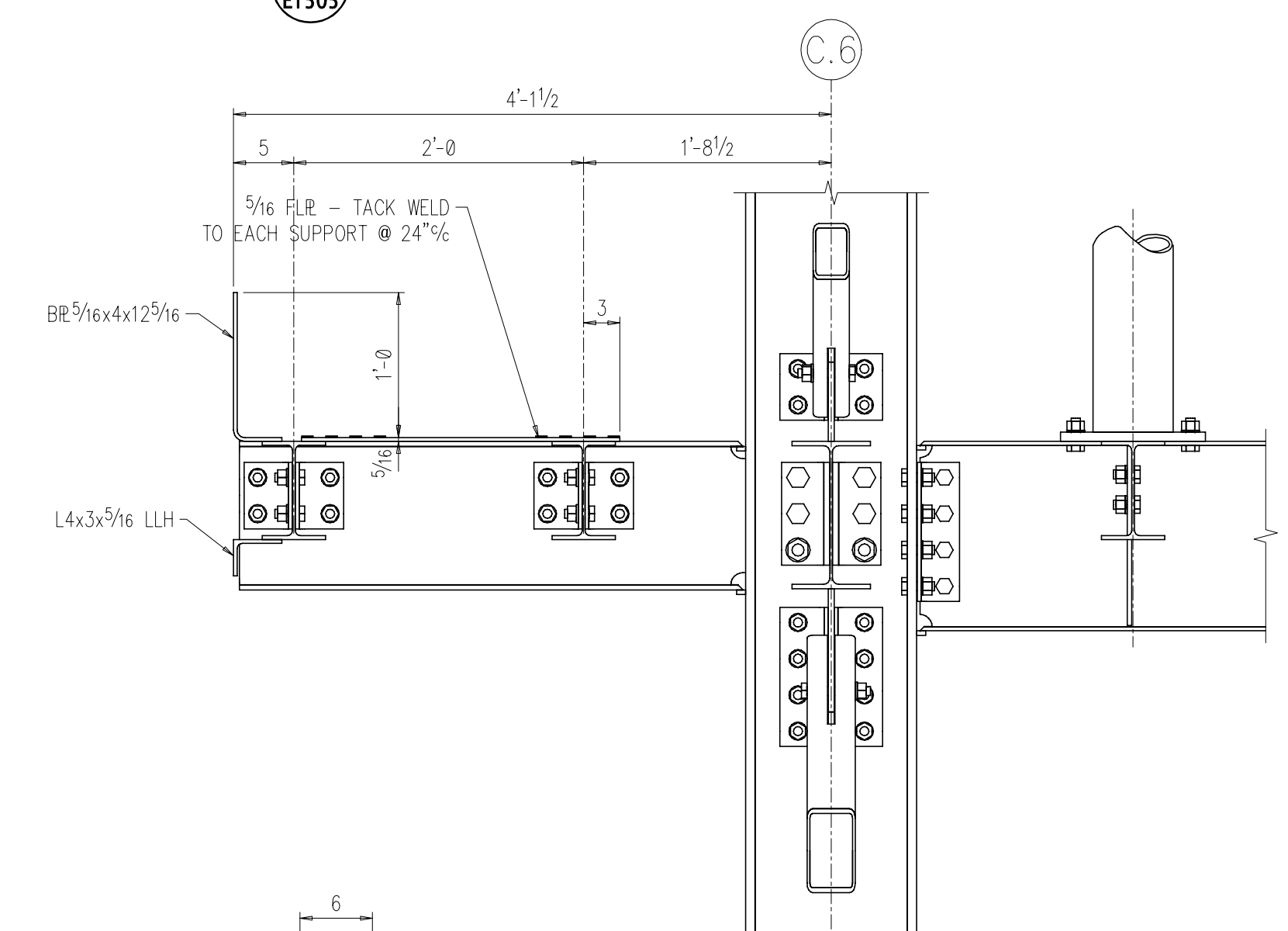
C PARTIAL ELEVATION ALONG LINE 7 LOOKING SOUTH
 E1505 SIMILAR AT COLUMN LINES 9 AND 11



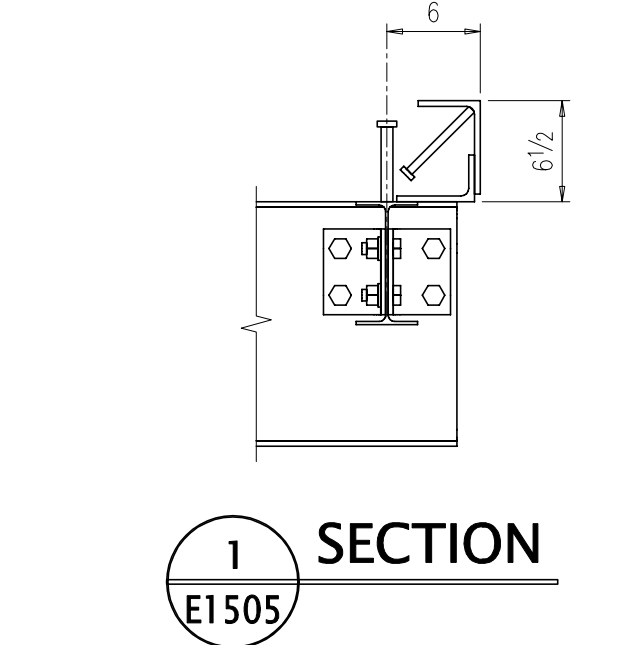
D PARTIAL ELEVATION ALONG LINE 5 LOOKING SOUTH
 E1505 SIMILAR AT COLUMN LINES 9 AND 11



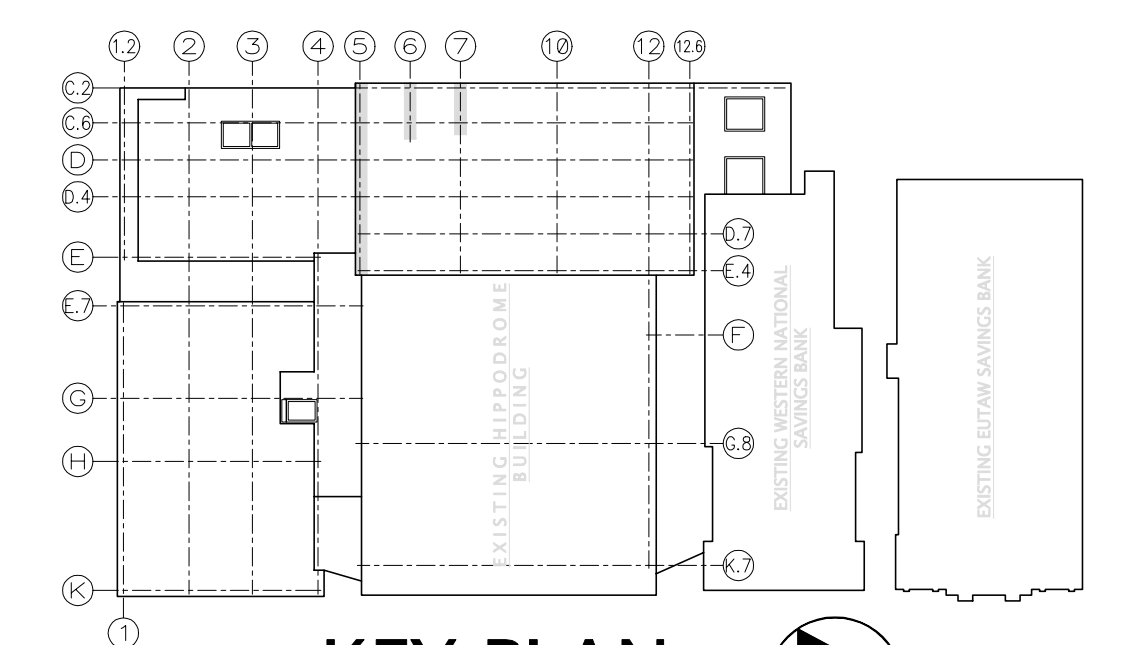
E PARTIAL ELEVATION ALONG LINE 6 LOOKING SOUTH
 E1505



2 SECTION
 E1505



1 SECTION
 E1505



KEY PLAN

PRINT ISSUE							
DATE	NO.	TO	FOR	DATE	NO.	TO	FOR
			CONTR. APPROVAL				
			PTS. SHOP FAB				
			PTS. CONTR. F & F				

REVISIONS			
NO.	DATE	BY	DESCRIPTION
1	7/15	BV	UPDATE PIECE MARKS

STEEFAB, INC.
 PO Box 1748
 DUBLIN, GA 31040-1195
 (478) 275-9777

DWG. OF: BRACED FRAME ELEVATIONS & FRAMING DETAILS
 JOB NAME: Hippodrome Performing Arts Center
 LOCATION: Baltimore, Maryland
 CUSTOMER: The Whiting Turner Contracting Co.
 ARCHT. OR ENG: Hardy Holzman Pfeiffer Associates, LLP
 DRAWN BY: BV DATE: 6/02 CK'D: DGD DATE: 6/02

JOB NO: 21887
DWG. NO: E1505

STEEFAB OF DUBLIN
 FOR APPROVAL
 PLOT DATE: 7/15/02