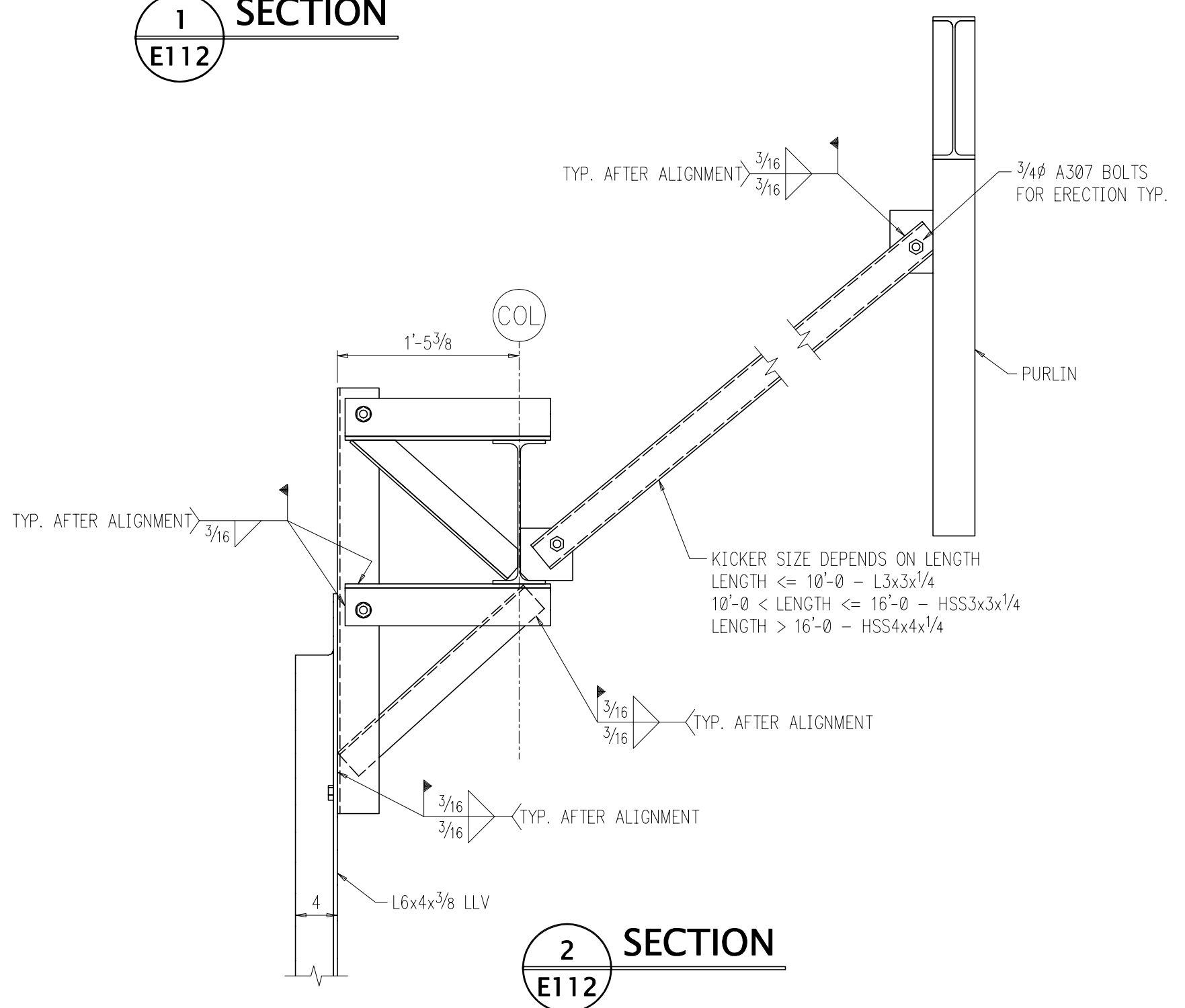
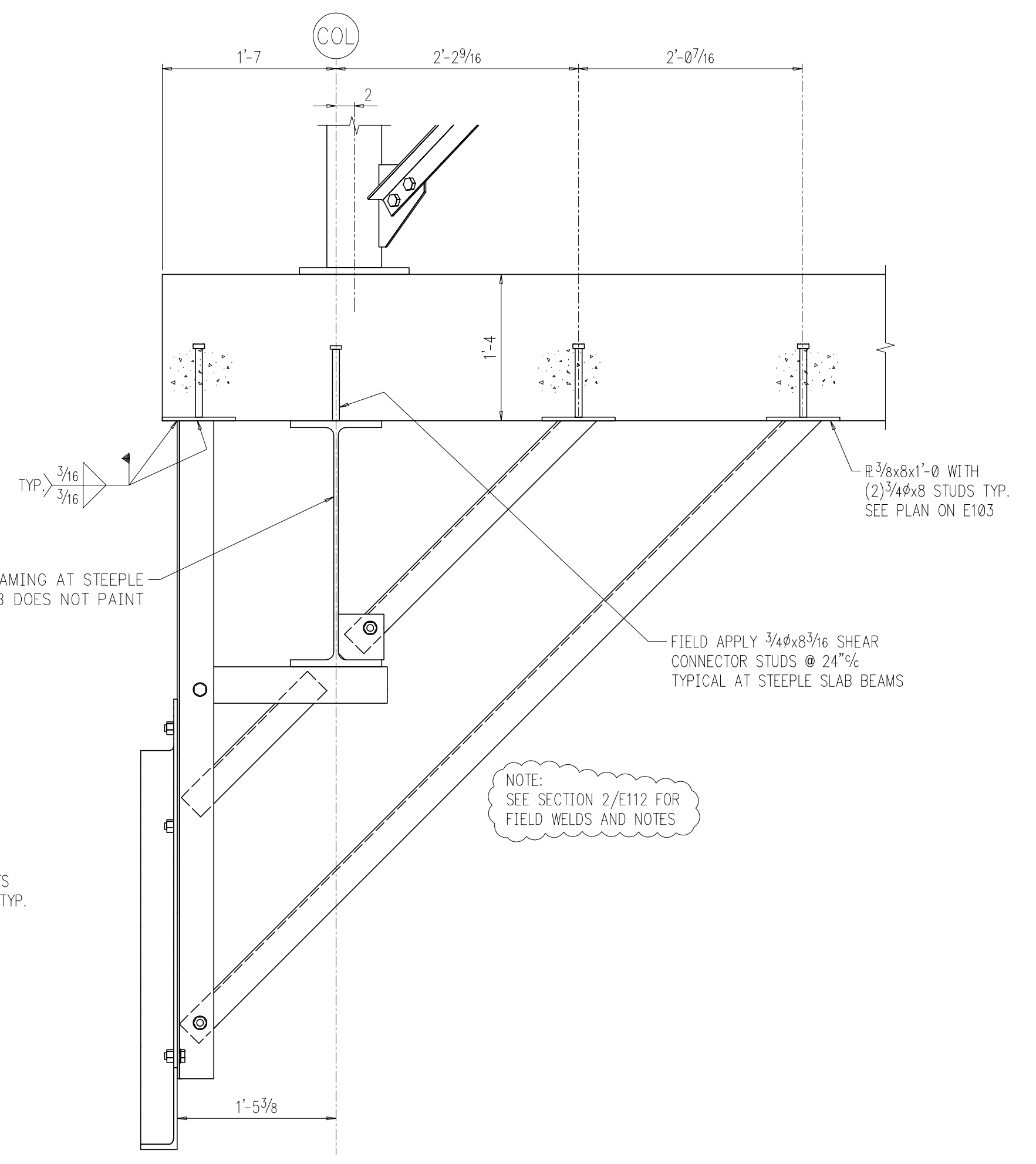


1 SECTION
E112



2 SECTION
E112



3 SECTION
E112

A E112 ELEVATION ALONG COLUMN LINE NA
LOOKING NORTH

WE ASSUME NO RESPONSIBILITY FOR ERRORS WHEN MATERIAL IS FABRICATED IN ACCORDANCE WITH APPROVED DRAWINGS.
BACK CHARGES WILL NOT BE ACCEPTED UNLESS OUR CONSENT IS GIVEN IN ADVANCE IN WRITING.

PAINT 1 S/C PRIMER UN					
MATERIAL A36 UN NTD					
HOLES 13/16 Dia. UN					
ELECTRODES E70XX					
TOTAL WEIGHT		NO DATE	DESCRIPTION	NO DATE	DESCRIPTION
DIAG. REF #		REVISIONS			
GENTRY STEEL, INC. CHATTANOOGA, TENNESSEE					
STRUCTURE		Woodland Park Baptist Church Chattanooga, TN			
DRAFTER BV	CUSTOMER/C.M.	Woodland Park Baptist Church/Kuebler Builders, Inc.		CONTRACT NO.	2284
DATE 5/03	ARCH./ENG.	Franklin Associates Architects, Inc.		DWG NO.	E112
CHECKED DG					
DATE					