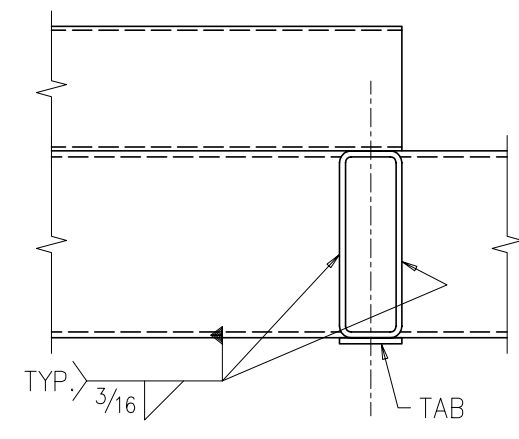


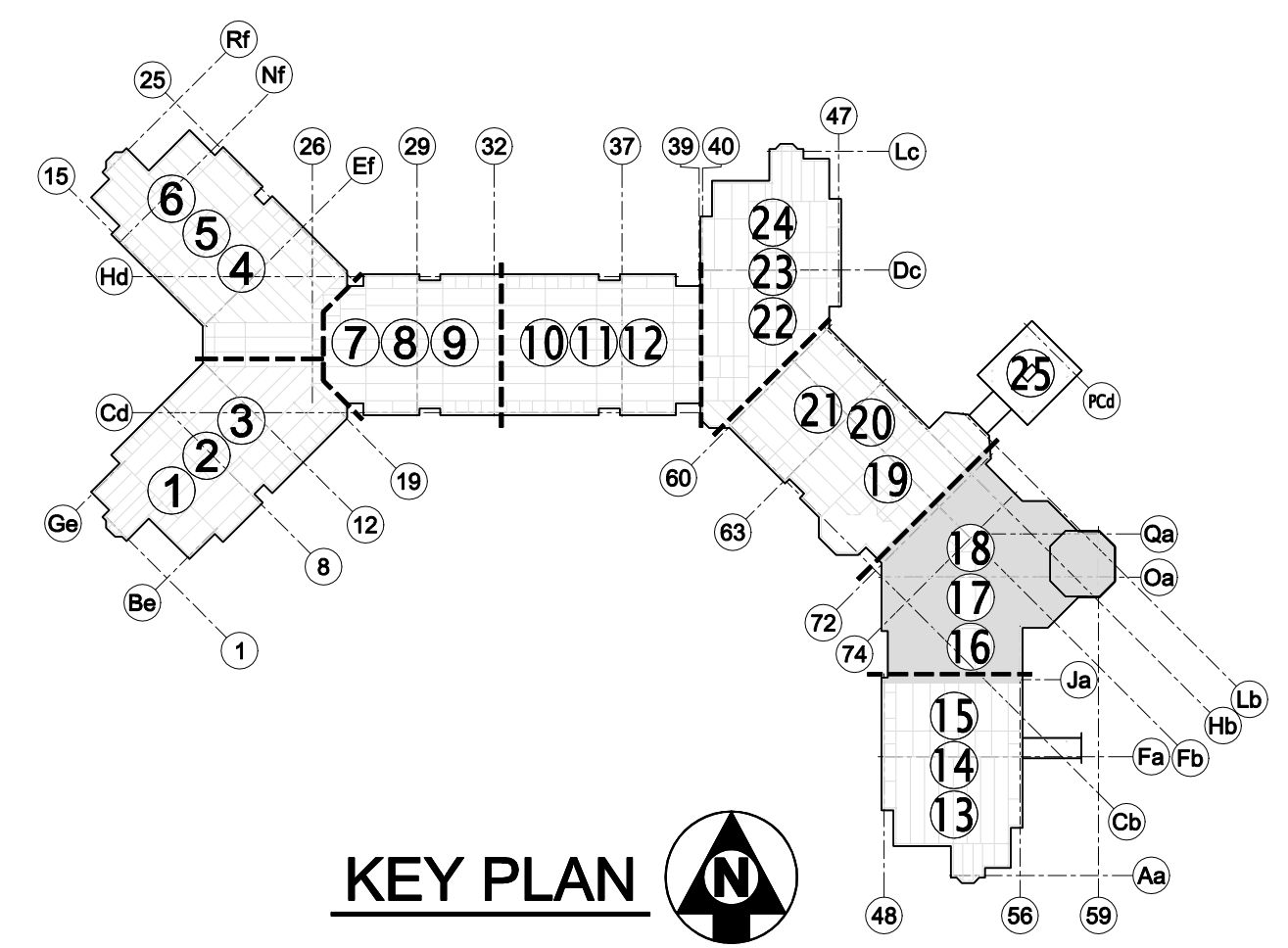
**PARTIAL FIRST FLOOR FRAMING PLAN**

T/S ELEVATION +27'-2 1/2 UN (+-)  
 SEE E101 FOR TYPICAL ERECTION PLAN NOTES AND DETAILS  
 SEE SE1601 FOR EDGE MATERIAL PLAN

STUD COUNT THIS SHEET (3/4"x4"): 1058  
 STUD COUNT THIS SHEET (3/4"x3 1/2"): 7



**1 SECTION**  
 E1601



**KEY PLAN**

DRAWING ISSUE/REVISIONS	
NO.	DATE
A	10/29/03
Q	11/25/03

**STEEFAB, INC.**  
 P.O. BOX 19289  
 CHARLOTTE, NC 28219  
 (704) 394-5376

DWG. OF: **FRAMING PLANS AND DETAILS**

JOB NAME: **Givens Estates**

LOCATION: **Asheville, NC**

CUSTOMER: **Rodgers Builders**

ARCHT. OR ENG.: **FreemanWhite**

DRAWN: **BV** DATE: **10/03** CK'D: **DGD** DATE:

**JOB NO: 22271**

**DWG. NO: E1601**

