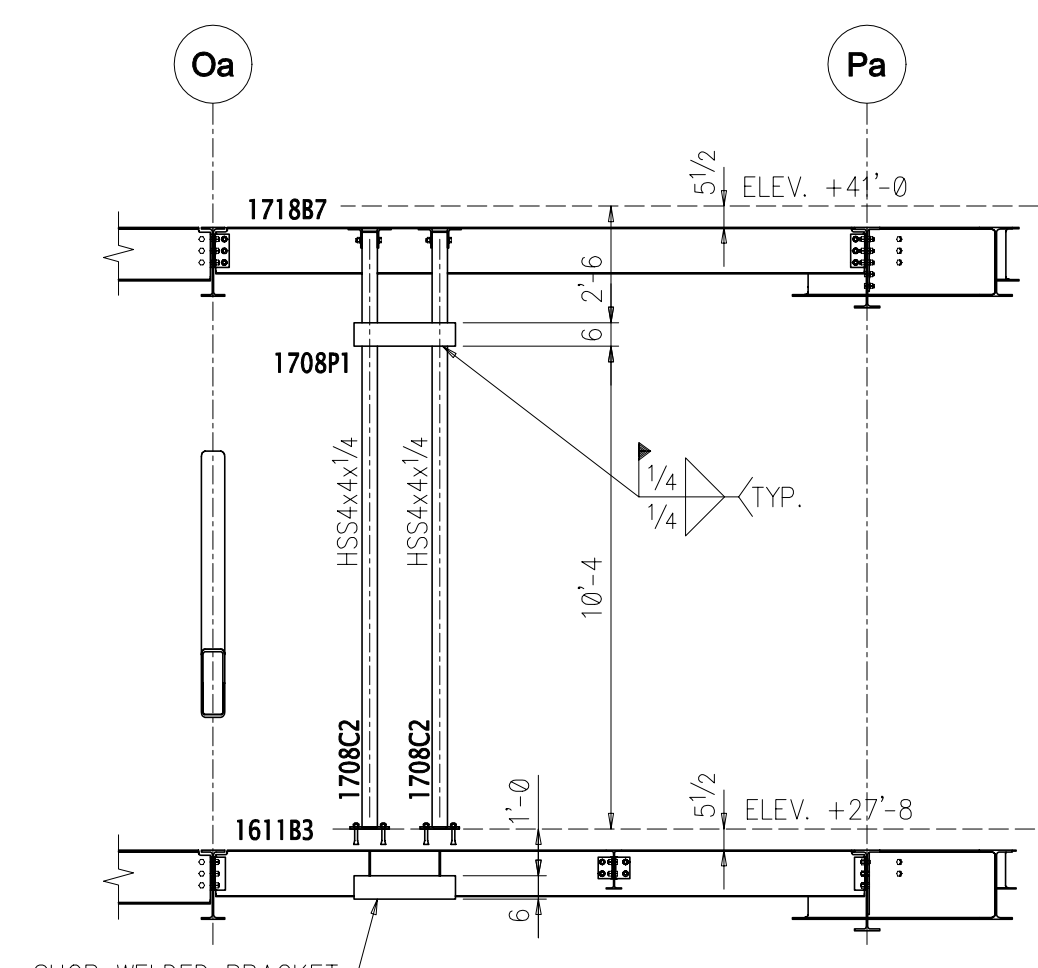
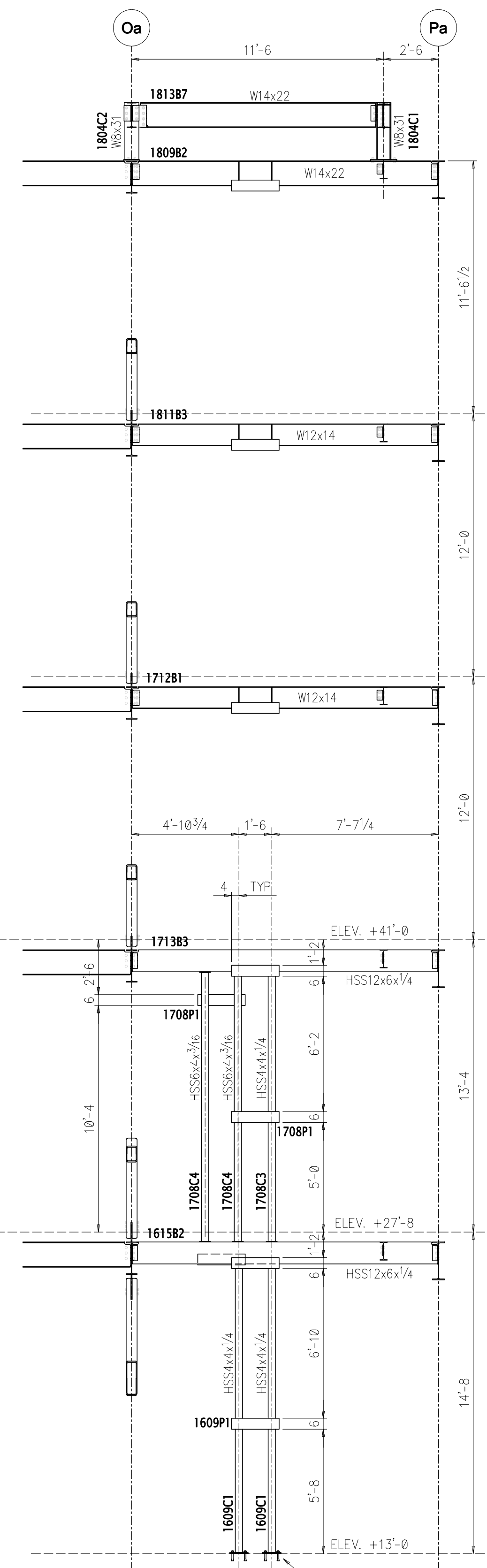


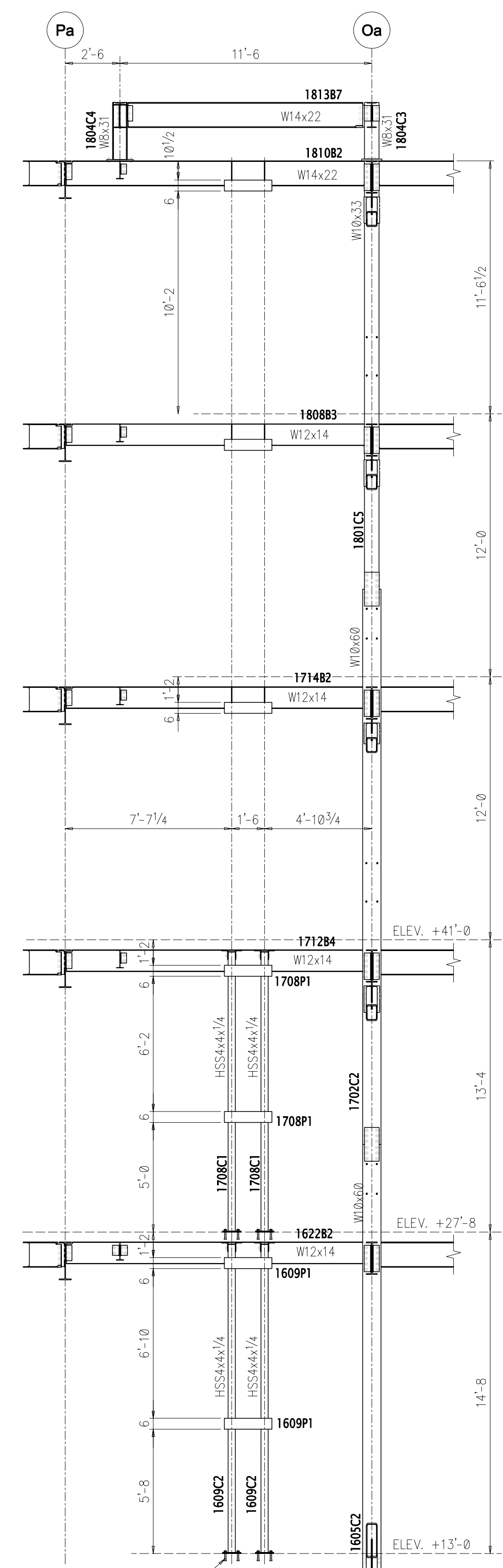
1 SECTION
E1603



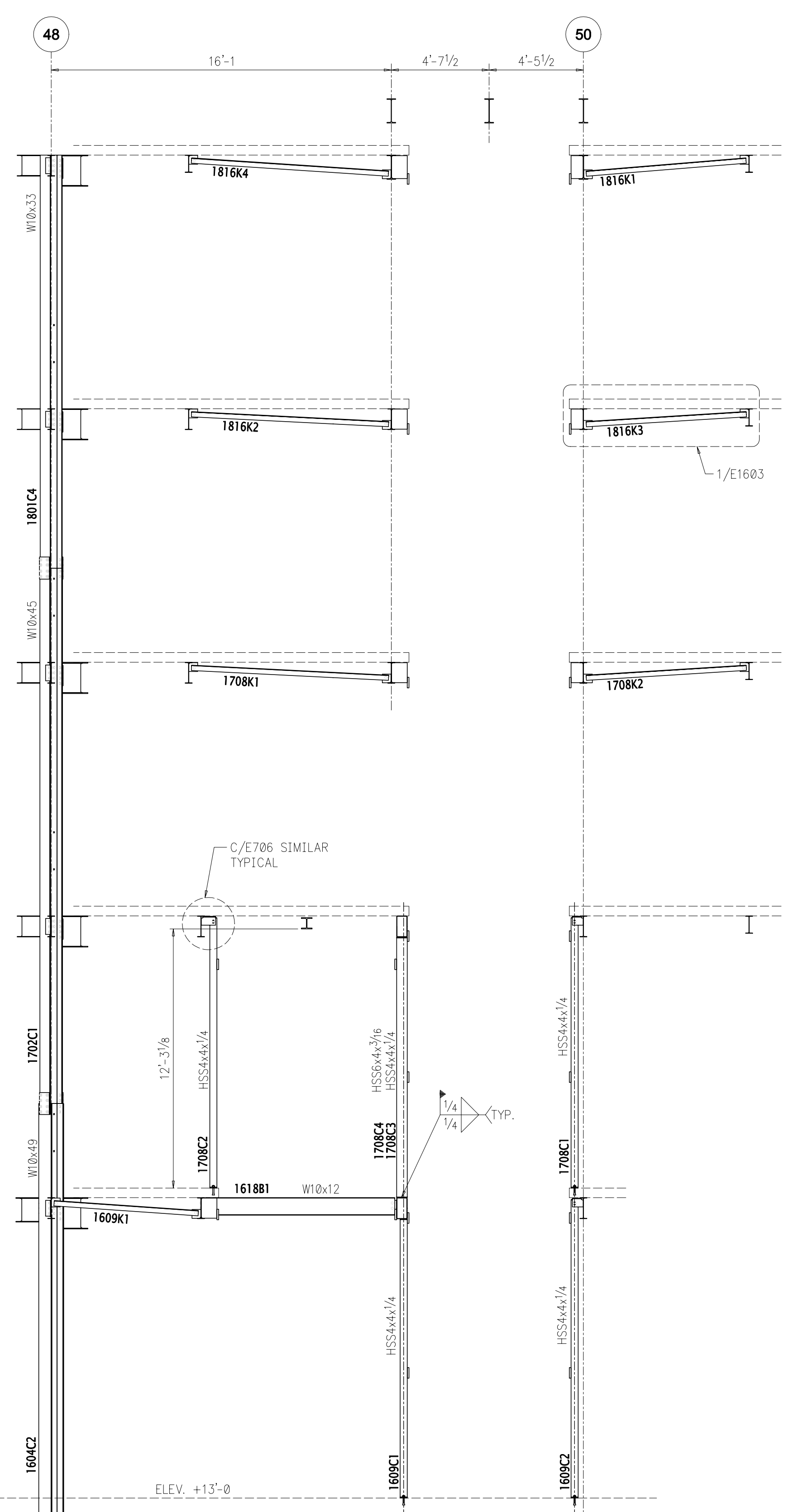
D ELEVATION
E1603
LOOKING WEST



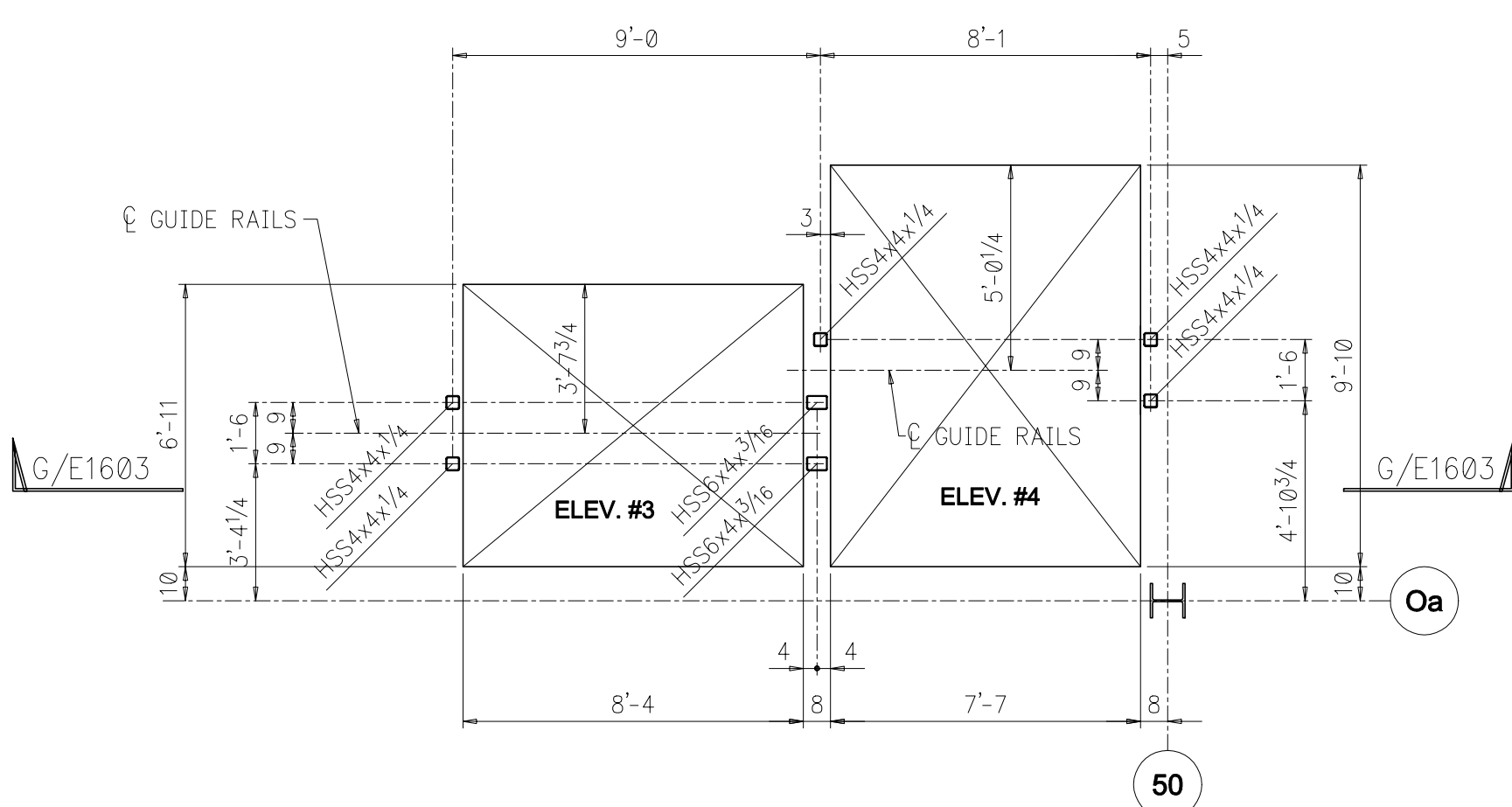
E ELEVATION
E1603
LOOKING WEST



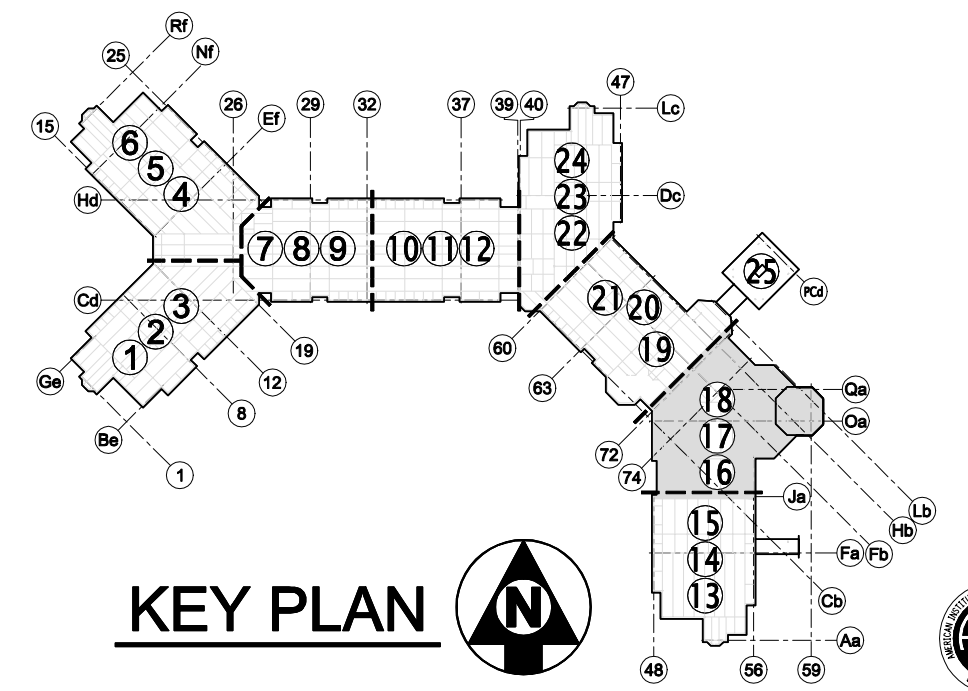
F ELEVATION
E1603
LOOKING WEST



G-G SECTION THROUGH ELEVATOR SHAFT
E1603



ELEVATOR GUIDE RAIL COLUMN LOCATION PLAN



KEY PLAN

DRAWING ISSUE/REVISIONS	
NO.	DATE
A	10/30/03
Q	11/25/03

DESCRIPTION	
FOR APPROVAL	
FABRICATION/FIELD USE	

SHOP PAINT	UNLESS NOTED
HOLES	
BOLTS	
FIELD CONNECTIONS	

STEEFAB, INC.
P.O. BOX 19289
CHARLOTTE, NC 28219
(704) 394-5376

DWG. OF: **ELEVATOR GUIDE RAIL SUPPORTS**
JOB NAME: **Givens Estates**
LOCATION: **Asheville, NC**
CUSTOMER: **Rodgers Builders**
ARCHT. OR ENG.: **FreemanWhite**
DRAWN: **BV** DATE: **10/03** CK'D: **DGD** DATE:

JOB NO: 22271
DWG. NO: E1603