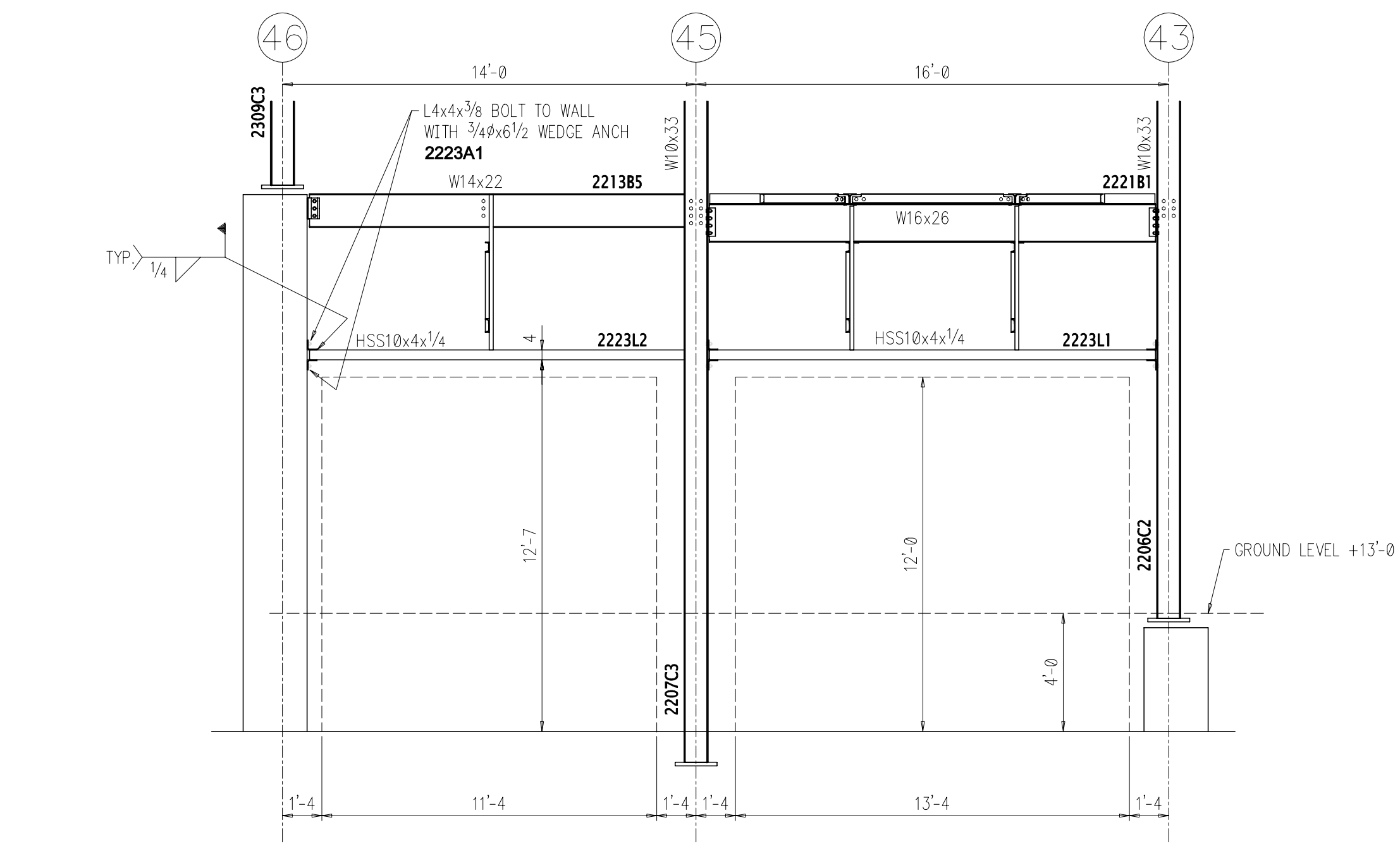
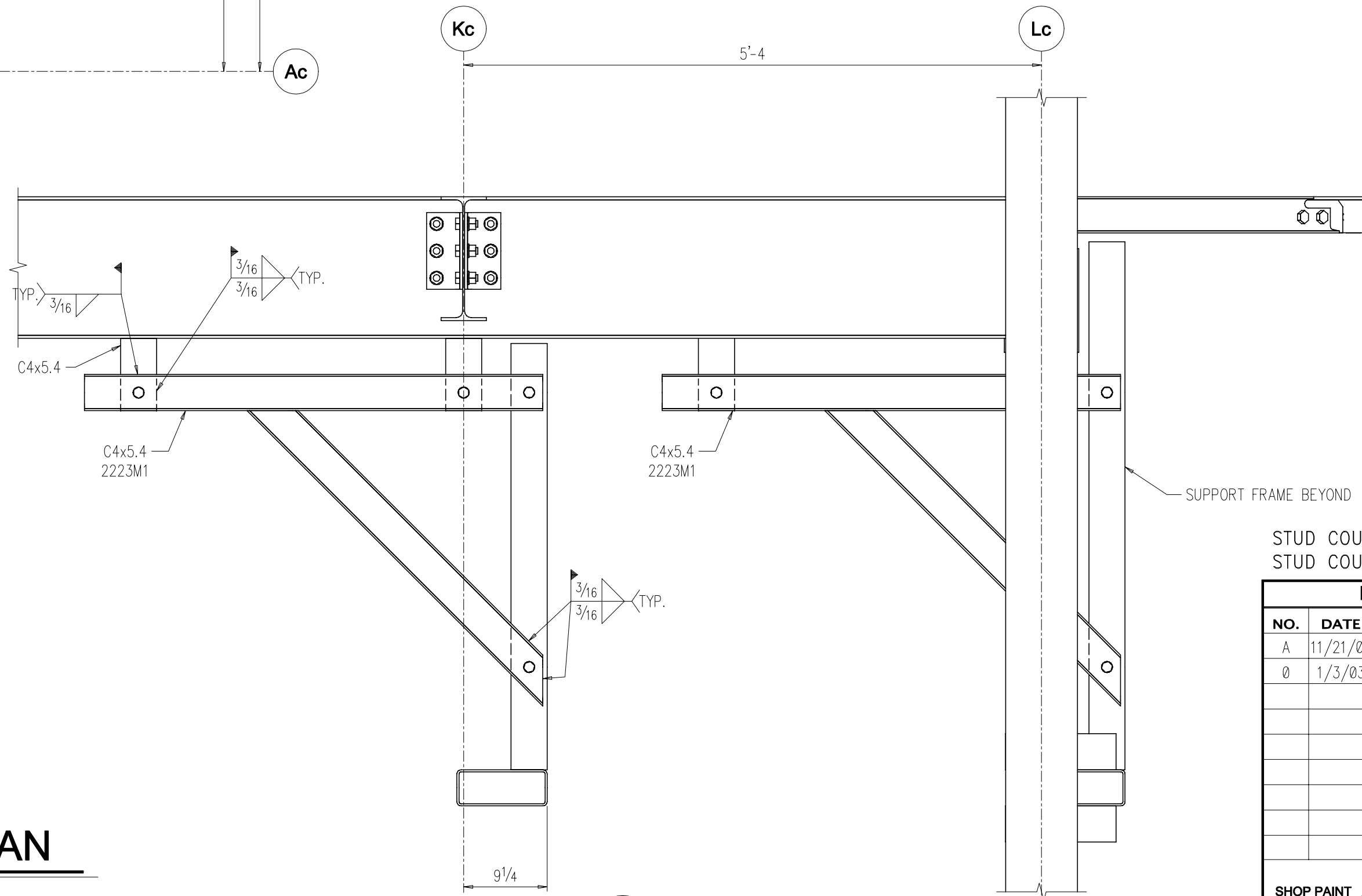


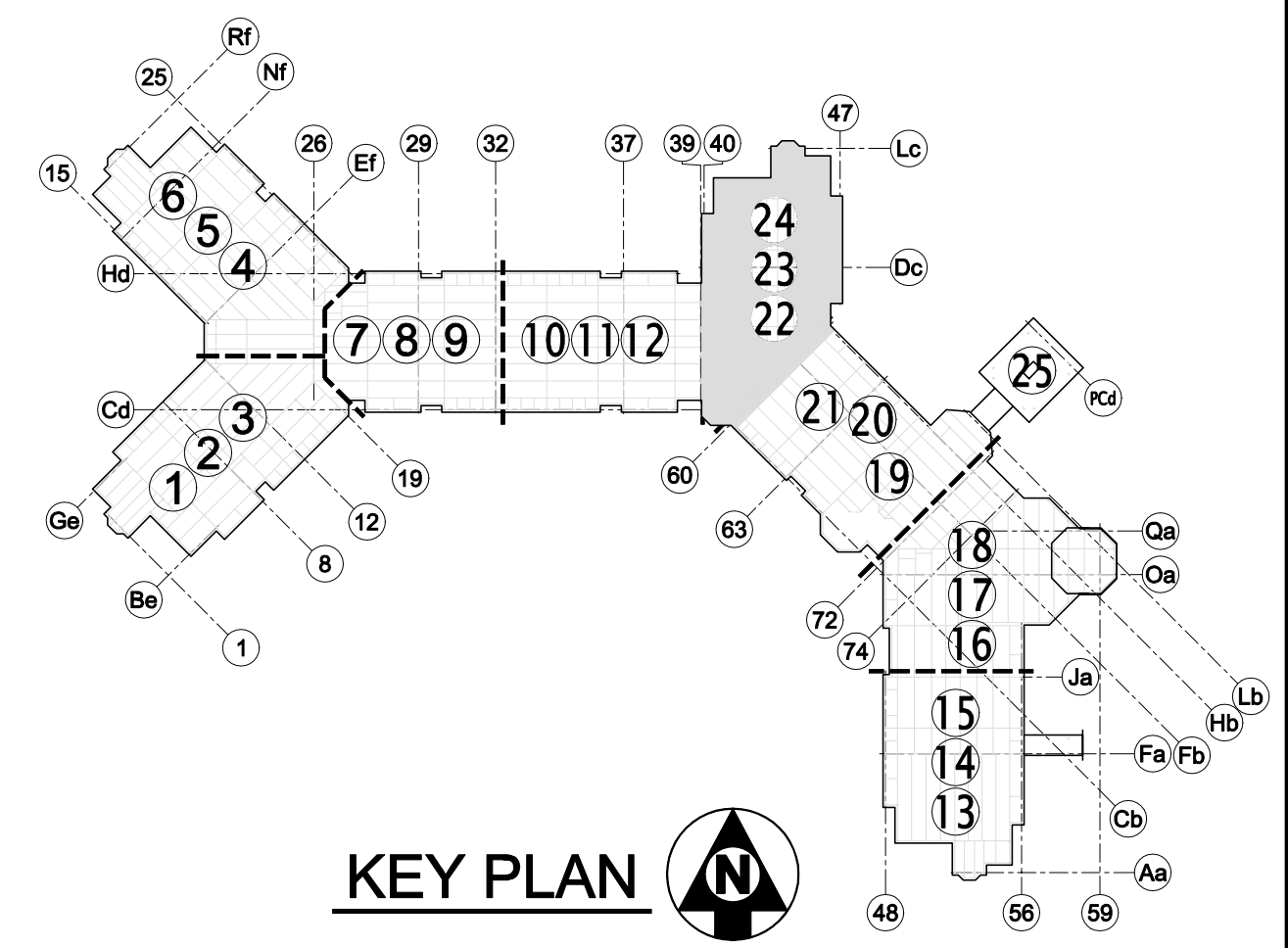
PARTIAL FIRST FLOOR FRAMING PLAN
 T/S ELEVATION +27-2 1/2 UN (+)
 SEE E101 FOR TYPICAL ERECTION PLAN NOTES AND DETAILS
 SEE ANCHOR ROD PLANS FOR BEAM CONNECTIONS TO FOUNDATION WALLS
 SEE E2203 FOR ELEVATOR GUIDE RAIL SUPPORTS



A BRICK SUPPORT ELEVATION AT RECEIVING
 E2202



1 SECTION
 E2202



KEY PLAN

STUD COUNT THIS SHEET (3/4"x4"): 740
 STUD COUNT THIS SHEET (3/4"x3 1/2"): 7

DRAWING ISSUE/REVISIONS	
NO.	DATE
A	11/21/03
0	1/3/03

STEEFAB, INC.
 P.O. BOX 19289
 CHARLOTTE, NC 28219
 (704) 394-5376

DWG. OF: **FRAMING PLANS AND DETAILS**
 JOB NAME: **Givens Estates**
 LOCATION: **Asheville, NC**
 CUSTOMER: **Rodgers Builders**
 ARCHT. OR ENG.: **FreemanWhite**
 DRAWN: **BV** DATE: **11/03** CK'D: **DGD** DATE: **11/03**

JOB NO: 22271
DWG. NO: E2202